

# REFRIGERATION UNITS SOĞUTMA ÜNİTELERİ



# SPONDE

- Split Tip Soğutma Ünitesi
- Split Type Refrigeration Unit

Acold Sponde series of packaged refrigeration units provide a high quality professional solution for all commercial and industrial cold and freezer room applications.

Acold Sponde refrigeration units are equipped with hermetic, scroll or semi-hermetic reciprocating compressors and available in range of 0,6HP to 20HP.

Acold Sponde refrigeration units are particularly designed for high ambient temperatures and tropical climates targeting Middle East, Africa, Gulf Countries and Australia.

**Temperature Range:**  
Medium: -5°C / +5°C  
Low: -18°C / -22°C

**Key Features:**

- Scroll, Hermetic or Semi hermetic Compressors.
- Extended Condenser Area for tropical climates.
- Easy and cost effective installation
- Fully wired
- Powder coated enclosure
- Small Footprint Floor or Wall Mounting
- Slim-Line Profile
- Low noise levels
- Floor or Wall Mounted.
- Designed for R404A and R22 refrigerants
- Suitable for ambient temperatures up to 46°C
- Low operating costs
- Easy access to all serviceable components.
- Matching Air Cooler Rated at SC2 and SC3
- Carel Mastercella Remote Control Panel



CM - CL  
HM - HL  
SM - SL

# PASITHEE

- Split Tip Soğutma Ünitesi
- Split Type Refrigeration Unit

Acold Pasithee series of packaged refrigeration units provide a high quality professional solution for all large industrial cold and freezer room applications.

Acold Pasithee refrigeration units are equipped with semi-hermetic reciprocating compressors and available in range of 20HP to 50HP.

Acold Pasithee refrigeration units are particularly designed for high ambient temperatures and tropical climates targeting Middle East, Africa, Gulf Countries and Australia.

**Temperature Range:**  
Medium: -5°C / +5°C  
Low: -18°C / -22°C

**Key Features:**

- Semi hermetic Compressors.
- Extended Condenser Area for tropical climates.
- Easy and cost effective installation
- Fully wired
- Powder coated enclosure
- Floor Mounted.
- Designed for R404A and R22 refrigerants
- Suitable for ambient temperatures up to 46°C
- Low operating costs
- Easy access to all serviceable components.
- Matching Air Cooler Rated at SC2 and SC3
- Carel Mastercella Remote Control Panel



SMI - SLI

AMC/M - AMC/L

# KALE

## ● Çok Kompresörlü Soğutma Ünitesi ● Multi Compressor Refrigeration Unit

Acold Kale series of multi compressor refrigeration units provide a high quality professional solution for numerous refrigerated spaces connected to it. (such as supermarkets, convenience stores, food processors, multi-room or large volume cold storage applications)

Acold Kale multi compressor units are equipped with two (2) to four (4) semi-hermetic reciprocating compressors designed to run in parallel operation and available in range of 6HP to 160HP.

Acold Kale refrigeration units are also available with air cooled remote condenser which is particularly designed for high ambient temperatures and tropical climates targeting Middle East, Africa, Gulf Countries and Australia.

**Temperature Range:**  
Medium: -5°C / +5°C  
Low: -18°C / -22°C

### Key Features:

- Semi hermetic Compressors.
- Extended Condenser Area for tropical climates.
- Narrow Design
- Easy and cost effective installation
- Fully wired
- Powder coated Chassis
- Floor Mounted.
- Designed for R404A and R22 refrigerants
- Suitable for ambient temperatures up to 46°C
- Low operating costs
- Easy access to all serviceable components.
- Carel Step controller



AMS/M - AMS/L

# ARCHE

## ● Çok Kompresörlü Soğutma Ünitesi ● Multi-Compressor Refrigeration Unit

Acold Arche series of multi compressor refrigeration units provide a high quality professional solution for numerous refrigerated spaces connected to it. (such as supermarkets, convenience stores, food processors, multi-room or large volume cold storage applications)

Acold Kale multi compressor units are equipped with two (2) to three (3) semi-hermetic rotary screw compressors designed to run in parallel operation and available in range of 60HP to 240HP.

Acold Kale refrigeration units are also available with air cooled remote condenser which is particularly designed for high ambient temperatures and tropical climates targeting Middle East, Africa, Gulf Countries and Australia.

**Temperature Range:**  
Medium: -5°C / +5°C  
Low: -18°C / -35°C

### Key Features:

- Semi Hermetic Rotary Screw Compressors.
- Extended Condenser Area for tropical climates.
- Easy and cost effective installation
- Fully wired
- Powder coated Chassis
- Floor Mounted.
- Designed for R404A and R22 refrigerants
- Suitable for ambient temperatures up to 46°C
- Low operating costs
- Easy access to all serviceable components.
- Carel Step controller



*Olimpeks İklimlendirme Sistemleri İnşaat Sanayi ve Ticaret Limited Şirketi  
Kışla Mahallesi, 52 Sokak, No: 103/10, Güzel İş Merkezi  
Muratpaşa, Antalya, TÜRKİYE  
Tel/Fax:00 90 242 228 0852 • www.olimpeks.com • info@olimpeks.com*





TECHNICAL CATALOGUE

Scroll Range  
CM - CL Series





Acold Sponde series of packaged refrigeration units provide a high quality professional solution for all commercial and industrial cold and freezer room applications.

Acold Sponde refrigeration units are equipped with hermetic, scroll or semi-hermetic reciprocating compressors and available in range of 0,6HP to 20HP.

Acold Sponde refrigeration units are particularly designed for high ambient temperatures and tropical climates targeting Middle East, Africa, Gulf Countries and Australia.

**Temperature Range:**

Medium: -5°C / +5°C

Low: -18°C / -22°C

**Key Features:**

- Scroll Compressor.
- Extended Condenser Area for tropical climates.
- Easy and cost effective installation
- Fully wired
- Powder coated enclosure
- Small Footprint Floor or Wall Mounting
- Slim-Line Profile
- Low noise levels
- Floor or Wall Mounted.
- Designed for R404A and R22 refrigerants
- Suitable for ambient temperatures up to 46°C
- Low operating costs
- Easy access to all serviceable components.
- Matching Air Cooler Rated at SC2 and SC3
- Carel Mastercella Remote Control Panel

**Standards:**

- Powder Coated Housing
- Motor Protection Relay (three phase models)
- Circuit Breakers (three phase models)
- Contactors and thermal overload relays
- Crankcase Heater
- Al/Cu Air Cooled Condenser
- Liquid Receiver
- Filter Drier
- Sight Glass with Humidity Indicator
- Service Valve on Liquid Line
- LP/HP Combined Pressure Switch
- LP/HP Gauges
- Main Isolator
- Solenoid Valve
- Integrated Electric Box
- Illuminated failure indicators.
- Mounting Brackets
- Al/Cu Evaporator rated at SC2 or SC3
- Defrost and tray heaters for the evaporator.
- Pre-Applied Evaporator Drain Heaters
- Thermal Expansion Valve

**Optionally:**

- Special Voltage or Refrigerant
- Electronic Fan Speed Control
- Soundproofing Kit
- Suction Line Accumulator
- Muffler
- Oil Separator
- Inverter system for capacity control (SH compressor only)
- Remote Monitoring Kit



Technical Data

Model (With Condanser)	Compressor Model	Cooling Capacity W						Current Max. A	Electrical Power kW (-10 C) 400 V / 3 / 50Hz	Sound Power dB	Condanser		Connection Suction line Discharge Line	Weight Kg	Cabin Type
		-5/+45	-5/+5	-10/+4	-10/+50	-15/+45	-15/+50				m <sup>2</sup>	Fan			
<b>COPELAND / Scroll Compressor / High Speed Fan</b>															
ACU-CM 06 Z.C-4	ZB 15 KCE	4040	3590	3320	2940	2690	2360	6,4	2,16	44	15,33	1x450	5/8"	76	F 11
ACU-CM 07 Z.C-4	ZB 19 KCE	5000	4550	4160	3770	3430	3110	9,9	2,84	44	15,33	1x500	3/4"	96	F 11
ACU-CM 08 Z.C-4	ZB 21 KCE	6070	5500	5050	4570	4160	3770	8,7	2,85	48	28,1	1x450	3/4"	96	F 21
ACU-CM 10 Z.C-4	ZB 26 KCE	7020	6380	5840	5300	4820	4370	12,3	3,68	48	28,1	1x500	7/8"	96	F 21
ACU-CM 12 Z.C-4	ZB 30 KCE	8280	7510	6870	6210	5640	5090	13,7	4,09	45	37,47	1x500	7/8"	138	F 21
ACU-CM 15 Z.C-4	ZB 38 KCE	10250	9330	8530	7740	7030	6360	15,9	4,88	47	44,07	2x450	1"1/8	138	F 31
ACU-CM 17 Z.C-4	ZB 45 KCE	12100	10950	10050	9120	8290	7520	19,8	6,29	51	58,75	2x500	1"1/8	138	F 31
ACU-CM 21 Z.C-4	ZB 58 KCE	16100	14600	13300	12000	10750	9570	28,8	9,27	51	72,75	4x500	1"1/8	138	F 51
ACU-CM 29 Z.C-4	ZB 76 KCE	21400	19550	17850	16200	14700	13250	26,6	9,51	52	87,3	4x450	1"3/8	185	F 51
ACU-CM 36 Z.C-4	ZB 92 KCE	26300	23700	21700	19500	17650	15650	34,4	11,86	53	116,4	4x450	1"3/8	185	F 51

Technical Data

Model (With Condanser)	Compressor Model	Cooling Capacity W						Current Max. A	Electrical Power kW (-30 C) 400 V / 3 / 50Hz	Sound Power dB	Condanser		Connection Suction line Discharge Line	Weight Kg	Cabin Type
		-25/+45	-25/+50	-30/+45	-30/+50	-35/+45	-35/+50				m <sup>2</sup>	Fan			
<b>COPELAND / Scroll Compressor / High Speed Fan</b>															
ACU-CL 08 Z.C-4	ZF 09 K4E	2760	2530	2250	2070	1810	1670	5,5	2,14	43	15,33	1x450	3/4"	76	F 11
ACU-CL 10 Z.C-4	ZF 11 K4E	3450	3160	2830	2590	2290	2100	6,2	2,55	43	28,10	1x400	7/8"	96	F 21
ACU-CL 12 Z.C-4	ZF 13 K4E	3970	3620	3200	2900	2400	2400	7,3	2,99	44	28,10	1x450	7/8"	96	F 21
ACU-CL 15 Z.C-4	ZF 15 K4E	4870	4460	4000	3600	2920	2920	10,0	3,99	48	37,47	1x450	7/8"	96	F 21
ACU-CL 17 Z.C-4	ZF 18 K4E	5910	5410	4800	4400	3560	3560	8,7	4,18	45	44,07	2x400	1"1/8	138	F 31
ACU-CL 21 Z.C-4	ZF 24 K4E	7330	6710	6000	5500	4360	4360	14,7	5,83	47	44,07	2x450	1"1/8	138	F 42
ACU-CL 29 Z.C-4	ZF 33 K4E	10050	9200	8180	7480	6550	5990	20,7	8,68	51	58,75	2x500	1"3/8	138	F 42
ACU-CL 36 Z.C-4	ZF 40 K4E	12450	11400	10150	9290	8130	7430	22,0	9,98	51	87,30	4x450	1"3/8	138	F 51
ACU-CL 42 Z.C-4	ZF 48 K4E	15050	13750	12200	11200	9800	8990	27,5	11,66	52	116,40	4x450	1"3/8	185	F 51
<b>SANYO / Scroll Compressor / High Speed Fan</b>															
ACU-CL 12 Z.S	CSBN303L8A	3865	3535	3060	2790	2530	2305	6,4	3,48	43	28,01	1x450	5/8"	95	F 21
ACU-CL 15 Z.S	CSBN373L8A	5675	5210	4480	4100	3700	3380	7,7	5,05	45	37,47	1x500	5/8"	97	F 21

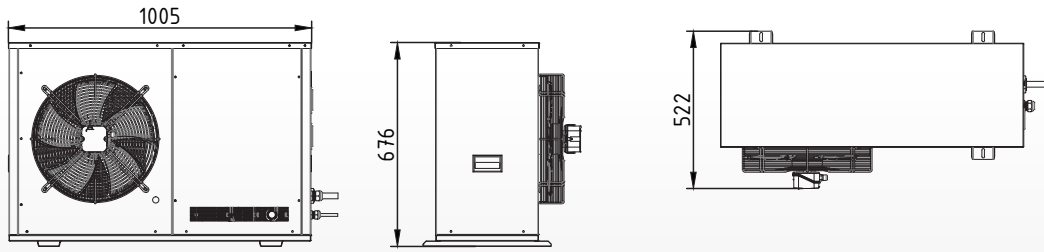
Model Designation

ACU	S	M	39	Z	F	4
1	2	3	4	5	6	7

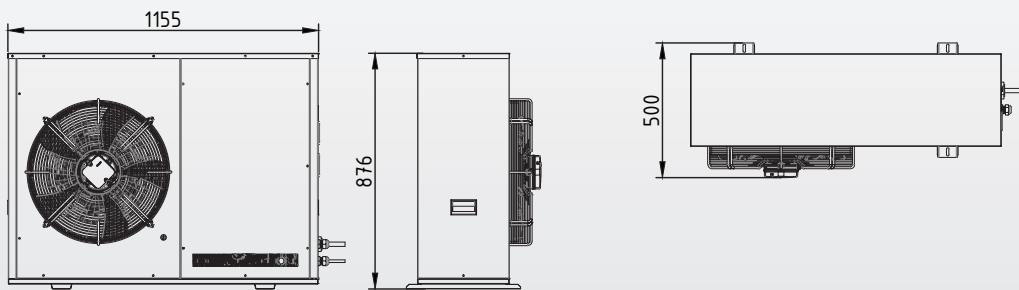
- 1 Production Serie
- 2 Compressor Make Model  
H: Hermetic C: Scroll S: Semi-Hermetic
- 3 Application Temperature  
M: -5/+5°C L: -15 / -25 °C
- 4 Total Displacement

- 5 Refrigerant  
E: R22 Z: R404 A Y: R134 A
- 6 Compressor Make  
B: Bitzer F: Frascold T: Tecumseh C: Copeland BS: Bristol S: Sanyo
- 7 Fan Speed  
4: 1400 d/d 6: 900 d/d 8: 660 d/d 12: 330 d/d

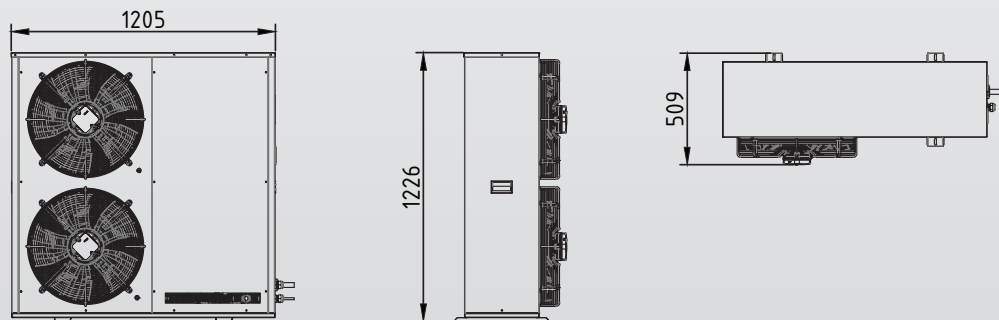
F11



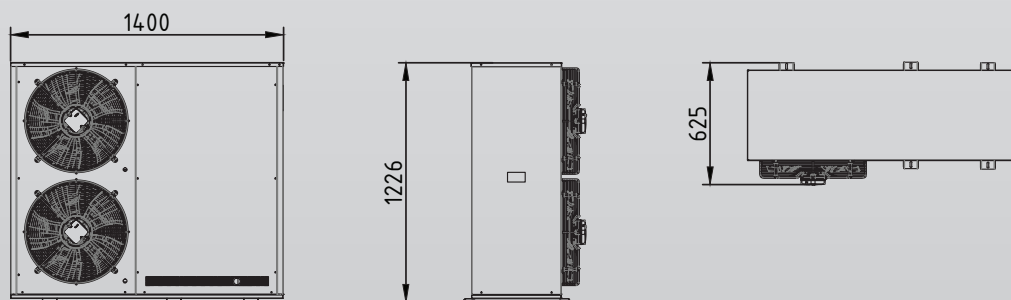
F21



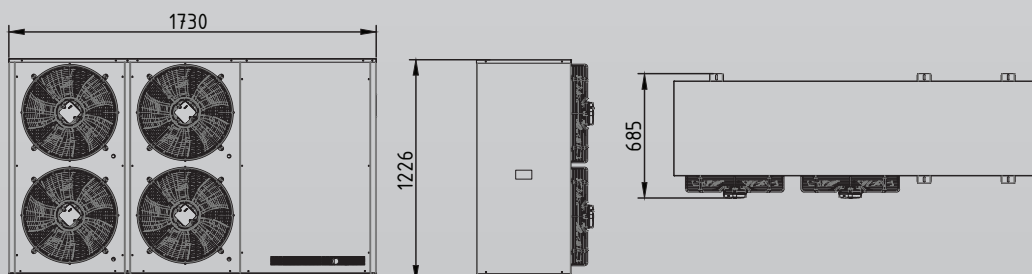
F31



F42



F51





Olimpeks İklimlendirme Sistemleri İnşaat Sanayi ve Ticaret Limited Şirketi  
Kışla Mahallesi, 52. Sokak, No: 103/10, Muratpaşa, Antalya, TÜRKİYE  
Tel:00 90 242 228 0852



TECHNICAL CATALOGUE

**Semi Hermetic Range**  
**SM - SL Series**





Acold Sponde series of packaged refrigeration units provide a high quality professional solution for all commercial and industrial cold and freezer room applications.

Acold Sponde refrigeration units are equipped with hermetic, scroll or semi-hermetic reciprocating compressors and available in range of 0,6HP to 20HP.

Acold Sponde refrigeration units are particularly designed for high ambient temperatures and tropical climates targeting Middle East, Africa, Gulf Countries and Australia.

### Temperature Range:

Medium: -5 C / +5 C

Low: -18 C / -22 C

### Key Features:

- Semi hermetic Compressor.
- Extended Condenser Area for tropical climates.
- Easy and cost effective installation
- Fully wired
- Powder coated enclosure
- Small Footprint Floor or Wall Mounting
- Slim-Line Profile
- Low noise levels
- Floor or Wall Mounted.
- Designed for R404A and R22 refrigerants
- Suitable for ambient temperatures up to 46 C
- Low operating costs
- Easy access to all serviceable components.
- Matching Air Cooler Rated at SC2 and SC3
- Carel Mastercella Remote Control Panel

### Standards:

- Powder Coated Housing
- Motor Protection Relay (three phase models)
- Circuit Breakers (three phase models)
- Contactors and thermal overload relays
- Crankcase Heater
- Al/Cu Air Cooled Condenser
- Liquid Receiver
- Filter Drier
- Sight Glass with Humidity Indicator
- Service Valve on Liquid Line
- LP/HP Combined Pressure Switch
- LP/HP Gauges
- Main Isolator
- Solenoid Valve
- Integrated Electric Box
- Illuminated failure indicators.
- Mounting Brackets
- Al/Cu Evaporator rated at SC2 or SC3
- Defrost and tray heaters for the evaporator.
- Pre-Applied Evaporator Drain Heaters
- Thermal Expansion Valve

### Optionally:

- Special Voltage or Refrigerant
- Electronic Fan Speed Control
- Soundproofing Kit
- Suction Line Accumulator
- Muffler
- Oil Separator
- Inverter system for capacity control (SH compressor only)
- Remote Monitoring Kit



Technical Data

Model (With Condenser)	Compressor Model	Cooling Capacity W						Current Max.	Electrical Power kW (-10degC)	Sound Power	Condenser		Connection Suction line Discharge Line	Weight Kg	Cabin Type
		-5/+45	-5/+50	-10/+45	-10/+50	-15/+45	-15/+50				m <sup>2</sup>	Fan			
<b>FRASCOLD / Semi-hermetic / High Speed Fan</b>															
ACU-SM 04.Z.F-4	A 0.5 4	1960	1960	1960	1770	1590	1420	3,4	1,08	43	9	1x350	5/8"	75	F 00
ACU-SM 05.Z.F-4	A.0.7 5	2890	2600	2380	2140	1930	1730	3,4	1,35	43	9	1x400	5/8"	75	F 00
ACU-SM 06.Z.F-4	A 1 6	3250	2940	2670	2410	2160	1940	5,1	1,63	44	9	1x450	5/8"	75	F 00
ACU-SM 07.Z.F-4	A 1.5 7	4160	3770	3410	3080	2750	2470	6,0	1,90	44	15	1x450	3/4"	90	F 11
ACU-SM 08.Z.F-4	A 1.5 8	4600	4160	3770	3400	3040	2730	6,3	2,19	44	15	1x450	3/4"	90	F 11
ACU-SM 09.Z.F-4	B 1.5 9	5160	4610	4170	3710	3330	2960	6,6	2,32	43	28	1x400	3/4"	116	F 21
ACU-SM 10.Z.F-4	B 2 10	5710	5150	4660	4200	3760	3390	8,2	2,81	44	28	1x450	7/8"	116	F 21
ACU-SM 11.Z.F-4	D 2 11	6750	6030	5490	4900	4420	3920	8,6	3,04	44	37	1x450	7/8"	116	F 21
ACU-SM 13.Z.F-4	D 2 13	8000	7260	6560	5930	5310	4800	10,5	4,00	48	37	1x500	7/8"	116	F 21
ACU-SM 15.Z.F-4	D 3 15	9200	8240	7590	6800	6200	5550	10,5	4,31	45	44	2x400	7/8"	160	F 31
ACU-SM 16.Z.F-4	D 3 16	9830	8860	8060	7260	6520	5860	11,3	4,55	45	58	2x400	7/8"	160	F 31
ACU-SM 18.Z.F-4	Q 4 19	10880	9820	9020	8150	7400	6710	12,2	4,89	47	58	2x450	1"1/8	160	F 41
ACU-SM 21.Z.F-4	Q 4 21	12560	11230	10120	9000	8040	7090	13,1	5,36	47	58	2x450	1"1/8	210	F 41
ACU-SM 25.Z.F-4	Q 5 25	14360	12920	11680	10470	9360	8340	19,4	7,14	51	58	2x500	1"1/8	210	F 41
ACU-SM 28.Z.F-4	Q 5 28	16720	15040	13740	12320	11140	9960	20,7	8,08	51	72	2x500	1"3/8	210	F 41
ACU-SM 33.Z.F-4	Q 7 33	19780	17780	16230	14570	13160	11800	26,7	9,14	47	88	2x500	1"3/8	268	F 41
ACU-SM 39.Z.F-4	S 10 39	24050	21890	19880	18080	16270	14760	37,2	12,09	53	87	4x500	1"3/8	295	F 61
ACU-SM 51.Z.F-4	S 15 51	30920	28080	25470	23070	20740	18730	45,0	14,58	53	145	4x500	1"5/8	295	F 61
ACU-SM 56.Z.F-4	S 20 56	35530	32090	29370	26470	23910	21470	51,9	15,84	53	174	4x500	1"5/8	600	F 61
<b>BITZER / Semi-Hermetic Compressor / High Speed Fan</b>															
ACU-SM 04.Z.B-4	2KC-05.2	2240	1960	1785	1550	1390	1200	3,3	1,01	43	9	1x350	5/8"	75	F 00
ACU-SM 05.Z.B-4	2JC-07.2	2990	2660	2425	2150	1940	1710	4,2	1,35	43	9	1x400	5/8"	75	F 00
ACU-SM 07.Z.B-4	2HC-2.2	3810	3430	3110	2790	2495	2230	5,8	1,87	44	15	1x450	5/8"	90	F 11
ACU-SM 08.Z.B-4	2GC-2.2	4460	4010	3645	3270	2940	2630	6,2	2,15	44	15	1x450	3/4"	90	F 11
ACU-SM 09.Z.B-4	2FC-3.2	5345	4760	4375	3890	3535	3130	7,3	2,56	44	28	1x450	3/4"	116	F 21
ACU-SM 11.Z.B-4	2EC-3.2	6655	5950	5440	4850	4385	3890	7,2	3,04	43	37	1x450	3/4"	116	F 21
ACU-SM 13.Z.B-4	2DC-3.2	7935	7110	6490	5800	5230	4650	10,3	3,87	48	37	1x500	7/8"	116	F 21
ACU-SM 16.Z.B-4	2CC-4.2	9940	8920	8120	7270	6540	5830	10,8	4,12	45	58	2x400	7/8"	160	F 31
ACU-SM 18.Z.B-4	4FC-3.2	11055	9970	9050	8150	7305	6560	12,3	4,98	47	58	2x450	7/8"	210	F 41
ACU-SM 23.Z.B-4	4EC-4.2	13455	12060	11050	9890	8960	8000	17,4	6,64	51	58	2x500	7/8"	210	F 41
ACU-SM 27.Z.B-4	4DC-5.2	16685	15060	13685	12340	11085	9970	20,2	7,73	51	72	2x500	7/8"	210	F 41
ACU-SM 33.Z.B-4	4CC-6.2	19800	17700	16275	14550	13225	11810	22,6	9,06	47	88	2x500	1"1/8	268	F 41
ACU-SM 39.Z.B-4	4TCS-8.2	25100	22300	20805	18810	16895	15220	30,5	12,37	53	87	4x500	1"1/8	295	F 61
ACU-SM 47.Z.B-4	4PCS-15.2	30425	27650	24925	22600	20155	18210	44,5	13,30	53	145	4x500	1"1/8	295	F 61
ACU-SM 56.Z.B-4	4NCS-20.2	35425	32000	29100	26250	23650	21300	50,5	15,26	53	174	4x500	1"3/8	600	F 61

Model Designation

ACU	S	M	39	Z	F	A
1	2	3	4	5	6	7

- 1 Production Serie
- 2 Compressor Make Model  
H: Hermetic C: Scroll S: Semi-Hermetic
- 3 Application Temperature  
M: -5/+5 C L: -15/-25 C
- 4 Total Displacement

- 5 Refrigerant  
E: R 22 Z: R 404 A Y: R 134 A
- 6 Compressor Make  
B: Bitzer F: Frascold T: Tecumseh C: Copeland BS: Bristol S: Sanyo
- 7 Fan Speed  
4: 1400 d/d 6: 900 d/d 8: 660 d/d 12: 330 d/d



## Technical Data

Model (With Condanser)	Compressor Model	Cooling Capacity W						Current Max. A	Electrical Power kW (-30degC) 400 V / 3 / 50Hz	Sound Power dB	Condanser		Connection Suction line Discharge Line	Weight Kg	Cabin Type
		-25/+45	-25/+50	-30/+45	-30/+50	-35/+45	-35/+50				m <sup>2</sup>	Fan			
<b>BITZER / Semi-hermetic / High Speed Fan</b>															
ACU-SL 05.Z.B-4	2JC-07.2	1150	1000	840	720	577	480	2,7	0,89	43	9	1x350	5/8"	75	F 00
ACU-SL 07.Z.B-4	2HC-2.2	1510	1330	1122	975	790	670	3,5	1,10	43	9	1x400	5/8"	75	F 00
ACU-SL 09.Z.B-4	2FC-2.2	2180	1910	1640	1420	1180	1000	4,4	1,76	44	15	1x450	3/4"	90	F 11
ACU-SL 11.Z.B-4	2EC-2.2	2665	2330	2005	1730	1445	1220	5,3	1,99	44	15	1x450	7/8"	90	F 11
ACU-SL 13.Z.B-4	2DC-2.2	3150	2750	2375	2050	1710	1440	6,2	2,23	44	28	1x450	7/8"	116	F 21
ACU-SL 16.Z.B-4	2CC-3.2	3995	3510	2990	2590	2130	1800	7,4	2,70	43	28	1x450	7/8"	116	F 21
ACU-SL 18.Z.B-4	4FC-3.2	4505	4000	3395	2990	2450	2120	8,6	3,39	44	37	1x500	7/8"	116	F 22
ACU-SL 23.Z.B-4	4EC-4.2	5590	4950	4250	3730	3115	2700	9,5	3,47	45	44	2x400	1"1/8	210	F 41
ACU-SL 27.Z.B-4	4DC-5.2	6885	6140	5225	4620	3815	3330	11,9	4,56	47	58	2x450	1"1/8	210	F 41
ACU-SL 33.Z.B-4	4CC-6.2	8300	7370	6350	5610	4695	4110	15,2	6,25	51	58	2x500	1"1/8	210	F 41
ACU-SL 39.Z.B-4	4TCS-8.2	10615	9450	8135	7170	6020	5230	16,9	6,28	51	87	2x450	1"3/8	210	F 61
ACU-SL 47.Z.B-4	4PCS-10.2	12540	11210	9550	8460	7010	6120	20,0	7,82	52	87	2x500	1"3/8	268	F 61
ACU-SL 56.Z.B-4	4NCS-12.2	14890	13310	11450	10170	8530	7510	24,4	10,41	53	116	4x500	1"5/8	295	F 61
ACU-SL 63.Z.B-4	4J-13,2	16400	14700	12580	11210	9330	8260	39	10,73	53	116	4x500	1"5/8	305	F 62
ACU-SL 74.Z.B-4	4H-15,2	19400	17310	14980	13260	11220	9820	43	12,3	54	145	4x500	1"5/8	310	F 62
ACU-SL 84.Z.B-4	4G-20,2	22550	20100	17470	15470	13050	11500	49	13,8	56	174	4x500	1"5/8	315	F 62
<b>FRASCOLD / Semi-hermetic / High Speed Fan</b>															
ACU-SL 06.Z.F-4	A 1 6	970	860	720	630	510	430	3,43	0,88	43	9	1x350	5/8"	75	F 00
ACU-SL 07.Z.F-4	A 1 5 7	1680	1480	1250	1090	890	750	4,28	1,08	43	9	1x400	5/8"	75	F 00
ACU-SL 08.Z.F-4	A 1 5 8	1860	1630	1380	1190	970	810	5,53	1,36	44	9	1x450	5/8"	75	F 00
ACU-SL 09.Z.F-4	B 1 5 9	2050	1810	1580	1390	1200	1060	6,13	1,74	44	15	1x450	3/4"	90	F 11
ACU-SL 11.Z.F-4	D 2 1 1	2710	2390	2040	1780	1470	1260	7,24	2,09	44	15	1x450	3/4"	90	F 11
ACU-SL 13.Z.F-4	D 2 1 3	3330	3010	2570	2320	1940	1750	7,97	2,48	43	28	1x450	7/8"	116	F 21
ACU-SL 15.Z.F-4	D 2 1 5	3730	3370	2890	2620	2190	1970	8,73	2,85	44	37	1x450	7/8"	116	F 21
ACU-SL 16.Z.F-4	D 3 1 6	4050	3600	3060	2700	2220	1930	10,08	2,91	44	37	1x450	7/8"	116	F 21
ACU-SL 18.Z.F-4	Q 4 1 9	4690	4230	3680	3310	2830	2540	11,72	3,14	48	37	1x500	7/8"	116	F 22
ACU-SL 25.Z.F-4	Q 4 2 5	5650	4970	4210	3670	3010	2560	12,92	3,81	45	44	2x450	1"1/8	160	F 41
ACU-SL 28.Z.F-4	Q 5 2 8	6970	6190	5320	4700	3930	3440	15,29	4,76	47	58	2x450	1"3/8	160	F 41
ACU-SL 33.Z.F-4	Q 5 3 3	8380	7540	6530	5870	4970	4450	20,05	6,35	51	58	2x500	1"3/8	160	F 41
ACU-SL 39.Z.F-4	S 7 3 9	10530	9490	8220	7370	6250	5540	23,77	7,37	51	87	4x450	1"3/8	160	F 61
ACU-SL 51.Z.F-4	S 10 5 1	13580	12200	10530	9390	7930	6970	28,40	8,96	51	116	4x450	1"3/8	268	F 61
ACU-SL 56.Z.F-4	S 15 5 6	15080	13480	11610	10290	8640	7530	40,15	10,99	53	116	4x500	1"5/8	295	F 61
ACU-SL 71.Z.F-4	V 15 7 1	18537	16646	14498	12867	10878	9465	44,2	11,75	53	145	4x450	1"5/8	305	F 62
ACU-SL 84.Z.F-4	V 20 8 4	20892	18481	16108	14258	12094	10727	54,6	13,1	54	174	4x500	1"5/8	345	F 62

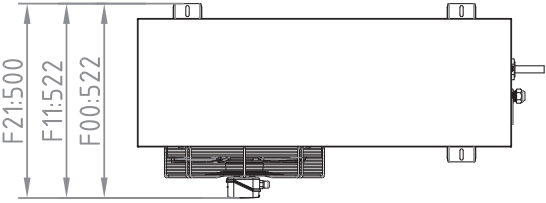
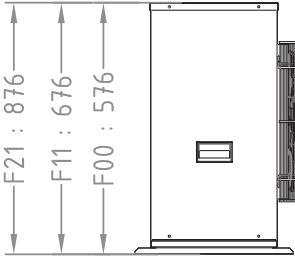
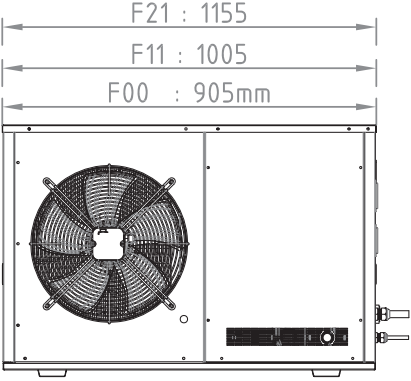
### Model Designation

ACU	S	M	39	Z	F	A
1	2	3	4	5	6	7

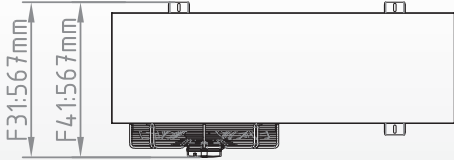
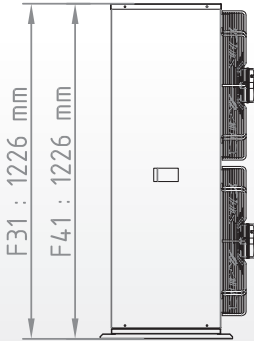
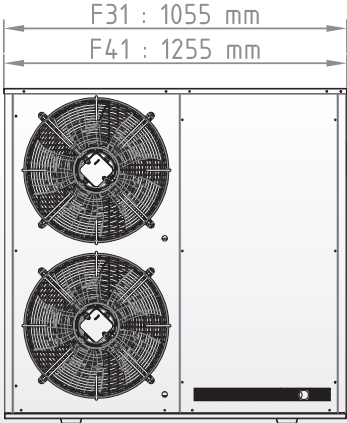
1	Production Serie
2	Compressor Make Model H: Hermetic C: Scroll S: Semi-Hermetic
3	Application Temperature M: -5/+5 C L: -15/-25 C
4	Total Displacement

5	Refrigerant E: R 22 Z: R 404 A Y: R 134 A
6	Compressor Make B: Bitzer F: Frascold T: Tecumseh C: Copeland BS: Bristol S: Sanyo
7	Fan Speed 4: 1400 d/d 6: 900 d/d 8: 660 d/d 12: 330 d/d

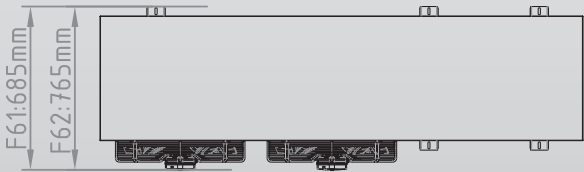
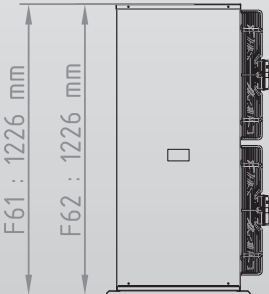
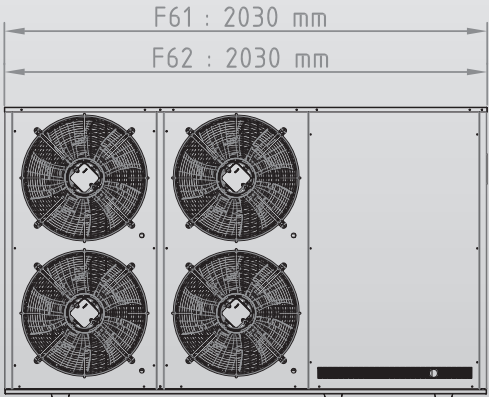
F00, F11, F21



F31, F41



F61, F62



Olimpeks klimalendirme Sistemleri n aat Sanayi ve Ticaret Limited irketi  
Kı la Mahallesi, 52. Sokak, No: 103/10, Muratpa a, Antalya, TÜRK YE  
Tel:00 90 242 228 0852

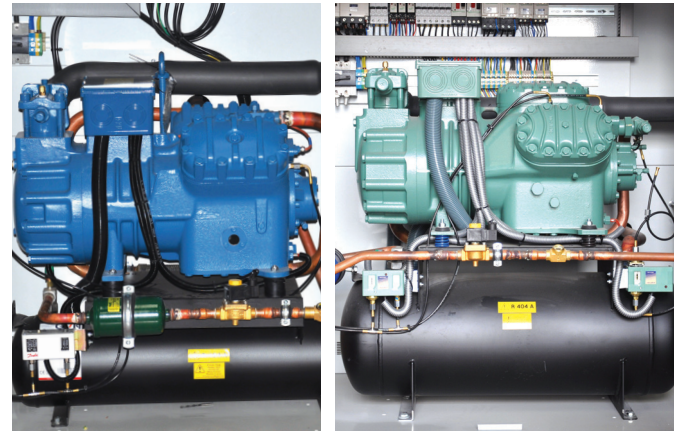


TECHNICAL CATALOGUE

Semi Hermetic Range  
SMI - SLI Series







Acold Pasithee series of packaged refrigeration units provide a high quality professional solution for all large industrial cold and freezer room applications.

Acold Pasithee refrigeration units are equipped with semi-hermetic reciprocating compressors and available in range of 20HP to 50HP.

Acold Pasithee refrigeration units are particularly designed for high ambient temperatures and tropical climates targeting Middle East, Africa, Gulf Countries and Australia.

### Temperature Range:

Medium:  $-5^{\circ}\text{C}$  /  $+5^{\circ}\text{C}$

Low:  $-18^{\circ}\text{C}$  /  $-22^{\circ}\text{C}$

### Key Features:

- Semi hermetic Compressors.
- Extended Condenser Area for tropical climates.
- Easy and cost effective installation
- Fully wired
- Powder coated enclosure
- Floor Mounted.
- Designed for R404A and R22 refrigerants
- Suitable for ambient temperatures up to  $46^{\circ}\text{C}$
- Low operating costs
- Easy access to all serviceable components.
- Matching Air Cooler Rated at SC2 and SC3
- Carel Mastercella Remote Control Panel

### Standards:

- Powder Coated Housing
- Motor Protection Relay
- Circuit Breakers
- Contactors and thermal overload relays
- Crankcase Heater
- Al/Cu Air Cooled Condenser
- Liquid Receiver
- Oil Separator
- Suction Line Accumulator
- Muffler
- Filter Drier
- Sight Glass with Humidity Indicator
- Service Valve on Liquid Line
- LP/HP Combined Pressure Switch
- LP/HP Gauges
- Main Isolator
- Solenoid Valve
- Integrated Electric Box
- Illuminated failure indicators.
- Al/Cu Evaporator rated at SC2 or SC3
- Defrost and tray heaters for the evaporator.
- Pre-Applied Evaporator Drain Heaters
- Thermal Expansion Valve

### Optionally:

- Special Voltage or Refrigerant
- Part winding
- Electronic Fan Speed Control
- Inverter system for capacity control
- Soundproofing Kit
- Remote Monitoring Kit



Technical Data

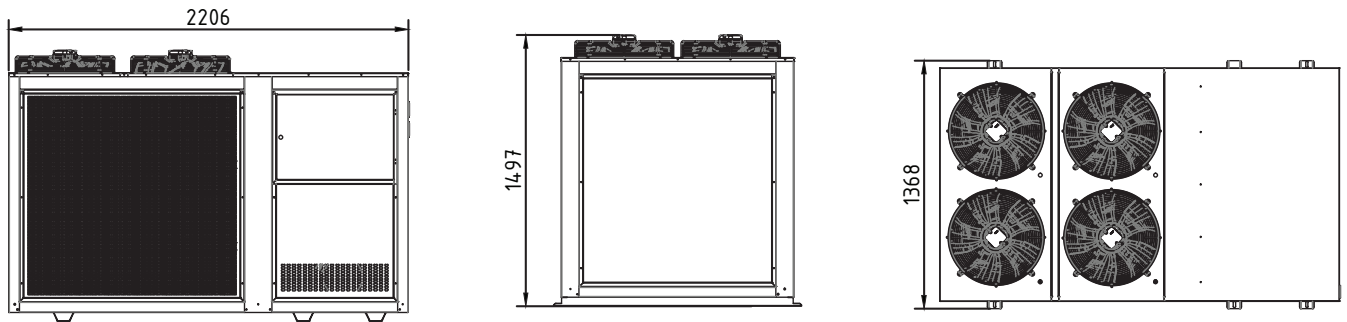
Model (With Condenser)	Compressor Model	Cooling Capacity W						Current Max. A	Electrical Power kW (-10degC) 400 V / 3 / 50Hz	Sound Power dB	Condenser		Connection Suction line Discharge Line	Weight Kg	Cabin Type
		-5/+45	-5/+50	-10/+45	-10/+50	-15/+45	-15/+50				m <sup>2</sup>	Fan			
<b>FRASCOLD / Semi-hermetic / High Speed Fan</b>															
ACU-SMI 56.Z.F-4	S 20 56	35530	32090	29370	26470	23910	21470	51,9	15,84	53	2x87	4x500	1"5/8	600	E4
ACU-SMI 71.Z.F-4	V 25 71	42950	38540	34820	31160	27840	24810	57,0	18,92	53	2x116	4x500	2"1/8	600	E4
ACU-SMI 84.Z.F-4	V 30 84	51690	46490	42170	37830	33950	30380	62,7	22,04	53	2x145	4x500	2"1/8	600	E4
ACU-SMI 93.Z.F-4	V 32 93	55920	50090	45110	40270	35810	31850	66,6	23,42	53	2x174	4x500	2"1/8	600	E4
ACU-SMI 106.Z.F-4	Z 35 106	65460	58650	53290	47670	42880	38310	80,4	29,71	55	2x174	6x500	2"1/8	840	E6
ACU-SMI 126.Z.F-4	Z 40 126	76480	68350	62140	55400	49830	44350	92,1	31,60	55	2x218	6x500	2"5/8	840	E6
ACU-SMI 154.Z.F-4	Z 50 154	93600	84190	76150	68330	61060	54600	117,3	39,96	56	2x222	8x500	2"5/8	950	E8
ACU-SMI 168.Z.F-4	W 50 168	105560	94660	86160	77170	69420	62110	128,4	44,44	57	2x285	10x500	2"5/8	1090	E10
<b>BITZER / Semi-Hermetic Compressor / High Speed Fan</b>															
ACU-SMI 56.Z.B-4	4NCS-20.2	35425	32000	29100	26250	23650	21300	50,5	15,26	53	2x87	4x500	1"3/8	600	E4
ACU-SMI 63.Z.B-4	4I-22.2	39100	35500	32100	29100	26075	23600	52,5	17,43	53	2 x 87	4x500	1"3/8	600	E4
ACU-SMI 74.Z.B-4	4H-25.2	45400	41250	37325	33850	30325	27450	58,5	19,87	53	2 x 116	4x500	1"3/8	600	E4
ACU-SMI 84.Z.B-4	4G-30.2	52175	47450	42950	39000	34925	31650	66,5	22,74	53	2 x 145	4x500	1"5/8	600	E4
ACU-SMI 95.Z.B-4	6I-33.2	58700	53300	48200	43700	39150	35400	73,5	23,96	53	2 x 174	4x500	1"5/8	600	E4
ACU-SMI 110.Z.B-4	6H-35.2	68150	61900	56000	50800	45525	41200	81,2	29,94	55	2 x 174	6x500	2"1/8	840	E6
ACU-SMI 126.Z.B-4	6G-40.2	78300	71200	64450	58500	52450	47500	98,2	34,14	55	2x218	6x500	2"1/8	840	E6
ACU-SMI 151.Z.B-4	6F-50.2	93500	84900	76850	69700	62500	56600	118,9	41,92	56	2x222	8x500	2"1/8	950	E8
<b>FRASCOLD / Semi-hermetic / High Speed Fan</b>															
ACU-SLI 84.Z.F-4	V 20 84	20892	18481	16108	14258	12094	10727	54,6	13,1	54	2x87	4x500	1"5/8	345	E4
ACU-SLI 106.Z.F-4	Z 25 106	26600	23570	20090	17730	14670	12870	60,00	18,21	53	2x116	4x500	2"1/8	600	E4
ACU-SLI 126.Z.F-4	Z 30 126	30860	27280	23470	20660	17270	15100	63,98	19,96	53	2x145	4x500	2"1/8	600	E4
ACU-SLI 154.Z.F-4	Z 40 154	41110	36840	31740	28200	23760	20810	90,37	26,89	55	2x174	6x500	2"5/8	840	E6
<b>BITZER / Semi-Hermetic Compressor / High Speed Fan</b>															
ACU-SLI 84.Z.B-4	4G 20,2	22550	20100	17400	15470	13050	11500	49	13,8	56	2x87	4x500	1"5/8	315	E4
ACU-SLI 95.Z.B-4	6I-22.2	25700	23000	19855	17610	14850	13010	40,7	16,57	53	2x116	4x500	2"1/8	600	E4
ACU-SLI 110.Z.B-4	6H-25.2	30025	26900	23275	20700	17510	15400	47,5	19,12	53	2x141	4x500	2"1/8	600	E4
ACU-SLI 126.Z.B-4	6G-30.2	34725	31150	26975	24050	20395	17990	54,3	21,28	53	174x2	4x500	2"1/8	600	E4
ACU-SLI 151.Z.B-4	6F-40.2	41225	36950	31950	28400	24025	21150	66,4	25,84	55	174x2	6x500	2"1/8	840	E6

Model Designation

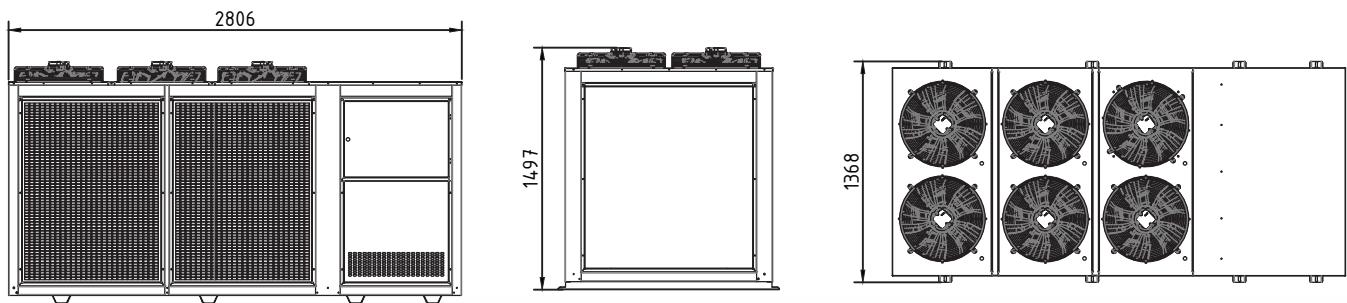
ACU	S	M	39	Z	F	4
1	2	3	4	5	6	7

- 1 Production Serie
- 2 Compressor Make Model  
H: Hermetic C: Scroll S: Semi-Hermetic
- 3 Application Temperature  
M: -5/+5 °C L: -15 / -25 °C
- 4 Total Displacement
- 5 Refrigerant  
E: R 22 Z: R 404 A Y: R 134 A
- 6 Compressor Make  
B: Bitzer F: Frascold T: Tecumseh C: Copeland BS: Bristol S: Sanyo
- 7 Fan Speed  
4: 1400 d/d 6: 900 d/d 8: 660 d/d 12: 330 d/d

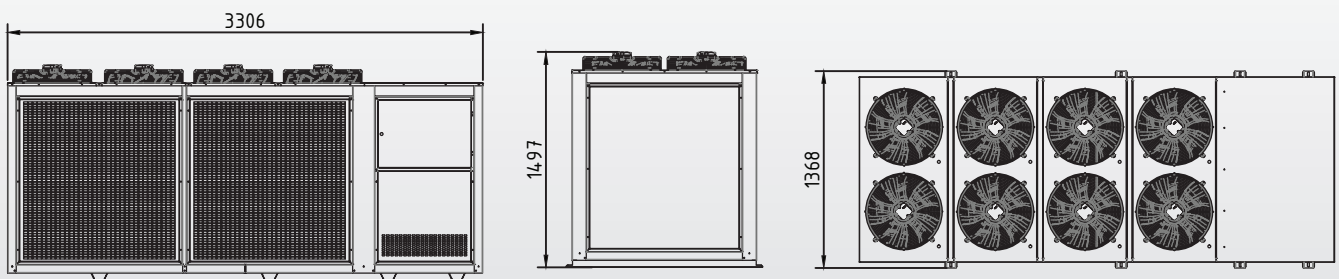
E4



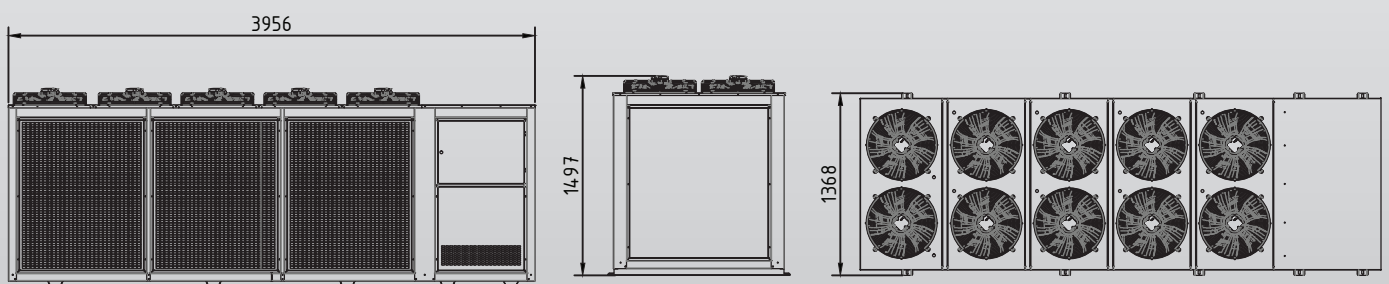
E6



E8



E10



Olimpeks İklimlendirme Sistemleri İnşaat Sanayi ve Ticaret Limited Şirketi  
Kışla Mahallesi, 52. Sokak, No: 103/10, Muratpaşa, Antalya, TÜRKİYE  
Tel:00 90 242 228 0852





# CONQUEST

## R744 operated transcritical condensing units



- Toshiba DC brushless rotary compressor
- Stepless inverter modulation between %25 - %100
- EC Fans
- K65 Connections
- 120 Bar (Discharge Line Pressure)
- 80 Bar (Liquid Line Pressure)
- 80 Bar (suction Line Pressure)

A-Cold Conquest CO<sub>2</sub> operated transcritical condensing units uses inverter technology thanks to “Carel Hecu” smart technology strategy to ensure lowest energy consumptions relative to traditional HFC systems.

A-Cold Conquest condensing units are delivered pre-factory set making it easy to install and maintain.

Ensuring a lowest gwp (GWP=1), A-Cold Conquest CO<sub>2</sub> condensing units provide a long term environmentally friendly solution for your cold storage and supermarket refrigeration demands.



## Operating Temperature Range

→ Medium: -5°C / +5°C

→ Low: -18°C / -22°C

## Standards

- Speed controlled BLDC Toshiba rotary compressor
- Powder coated waterproof enclosure
- Fully wired starter panel
- Carel HECU smart controller
- Energy efficient EC gas cooler fans
- Medium pressure vessel
- High pressure vessel
- Filter Drier
- Sight glass
- Liquid & suction lines service valves
- Medium pressure side and suction line insulation
- Medium pressure side and suction line insulation
- Air-cooled gas cooler
- Water-cooled plate heat exchanger for on-site assembly.

## Optionally

- Non-return valve
- Pressure relief valve @ 60/80 bar [\*]

\* In accordance with evaporator design data



## Technical Data

MT Condensing Unit	Electrical Data			Compressor Data		Gas Cooler Fan		Noise	Connections		Form Factor
	Voltage [V/Ph/Hz]	MRA [A]	PM [Watt]	Model	SV [cbm/hr]	Type	Qty. x Ø [mm]	Sound Pressure [db]	Suction [Inch]	Liquid [Inch]	
AKM-CHA1N-HRA003-CS2	230/1/50	14,5	3300	DY30N1F	3	Axial	1 x 450	34	3/8	3/8	CC10
AKM-CHA1N-HRA005-CS2	230/1/50	20,2	4650	DY45N1F	4,5	Axial	1 x 500	36	3/8	3/8	CC12
AKM-CHA1N-HRA007-CS2	230/1/50	28,7	6630	DY67L1F	6,7	Axial	1 x 500	38	3/8	3/8	CC13
AKM-CHA2N-HRA010-CT3	400/3/50	18,3	12700	RY100L1F	10	Axial	2 x 500	38	3/8	3/8	CC20

LT Condensing Unit	Electrical Data			Compressor Data		Gas Cooler Fan		Noise	Connections		Form Factor
	Voltage [V/Ph/Hz]	MRA [A]	PM [Watt]	Model	SV [cbm/hr]	Type	Qty. x Ø [mm]	Sound Pressure [db]	Suction [Inch]	Liquid [Inch]	
AKL-CHA1N-HRA003-CS2	230/1/50	26,8	6160	DY30N1F	3	Axial	1 x 450	38	3/8	3/8	CC10
AKL-CHA1N-HRA005-CS2	230/1/50	38,2	7360	DY45N1F	4,5	Axial	1 x 500	40	3/8	3/8	CC12
AKL-CHA1N-HRA007-CS2	230/1/50	55,2	10620	DY67L1F	6,7	Axial	1 x 500	40	3/8	3/8	CC13

MT: Medium Temperature  
LT: Low Temperature

MRA: Operating Current  
PM: Max. Input Power

SV: Compressor Sweeping Volume  
Sound Pressure @ 10 meters

## Refrigeration Capacity

MT Condensing Unit	Refrigeration Capacity (Watt) @ Evaporation Temperature [°C]					Electric Consumption (Watt) @ Evaporation Temperature [°C]				
	-15	-10	-5	0	5	-15	-10	-5	0	5
AKM-CHA1N-HRA003-CS2	2181	2548	2939	3362	3826	1419	1444	1456	1452	1430
AKM-CHA1N-HRA005-CS2	3293	3847	4437	5077	5778	2142	2180	2198	2192	2159
AKM-CHA1N-HRA007-CS2	4722	5502	6359	7280	8251	3090	3174	3234	3272	3285
AKM-CHA2N-HRA010-CT3	7047	8211	9491	10866	-	4612	4737	4827	4930	-
LT Condensing Unit	-30	-25	-20							
AKL-CHA1N-HRA003-CS2	3343	3662	3904							
AKL-CHA1N-HRA005-CS2	5049	5331	5700							
AKL-CHA1N-HRA007-CS2	6599	7268	7797							

Refrigeration capacity @ +32°C ambient temperature